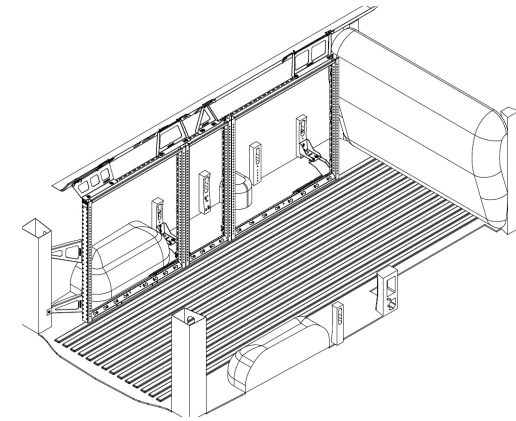


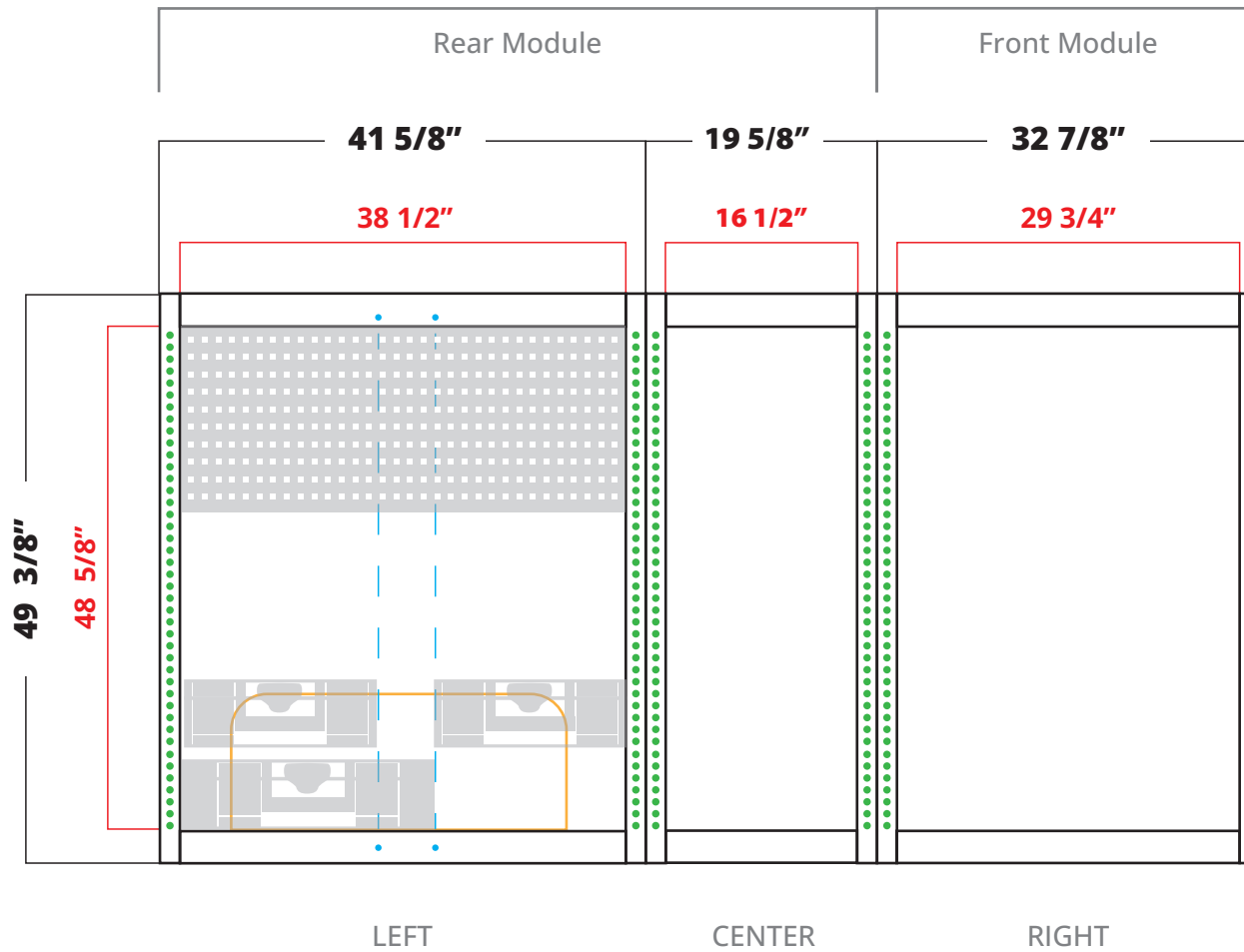
Hole Allocations: 55 holes
(2 additional forward facing holes for anchor points)

Important note:
The frames are fixed and cannot be changed.

The rear module can be installed separately without the front module.
The front module can only be installed when the rear module is present.



Rear door



LEFT Frame Fitting Options (3 variations)

- 1. Use the full width of the frame
Fit accessories with 38 1/2" W
- 2. Create 2 sections within the frame
Add (1) Divider to fit:
(1) L section 20 7/8" W
(1) M section 16 1/2" W
- 3. Create 2 sections within the frame
Add (2) Dividers to fit:
(2) M sections 16 1/2" W

CENTER Frame Fitting

- 1. Use the full width of the frame
Fits M size accessories 16 1/2" W

RIGHT Frame Fitting

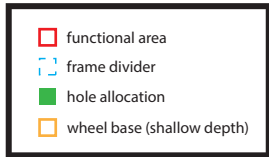
- 1. Use the full width of the frame
Fit accessories with 29 3/4" W



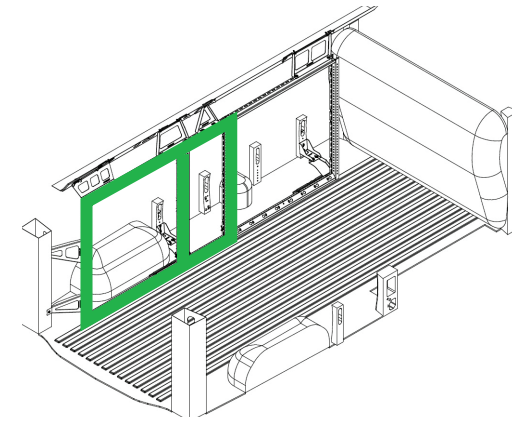
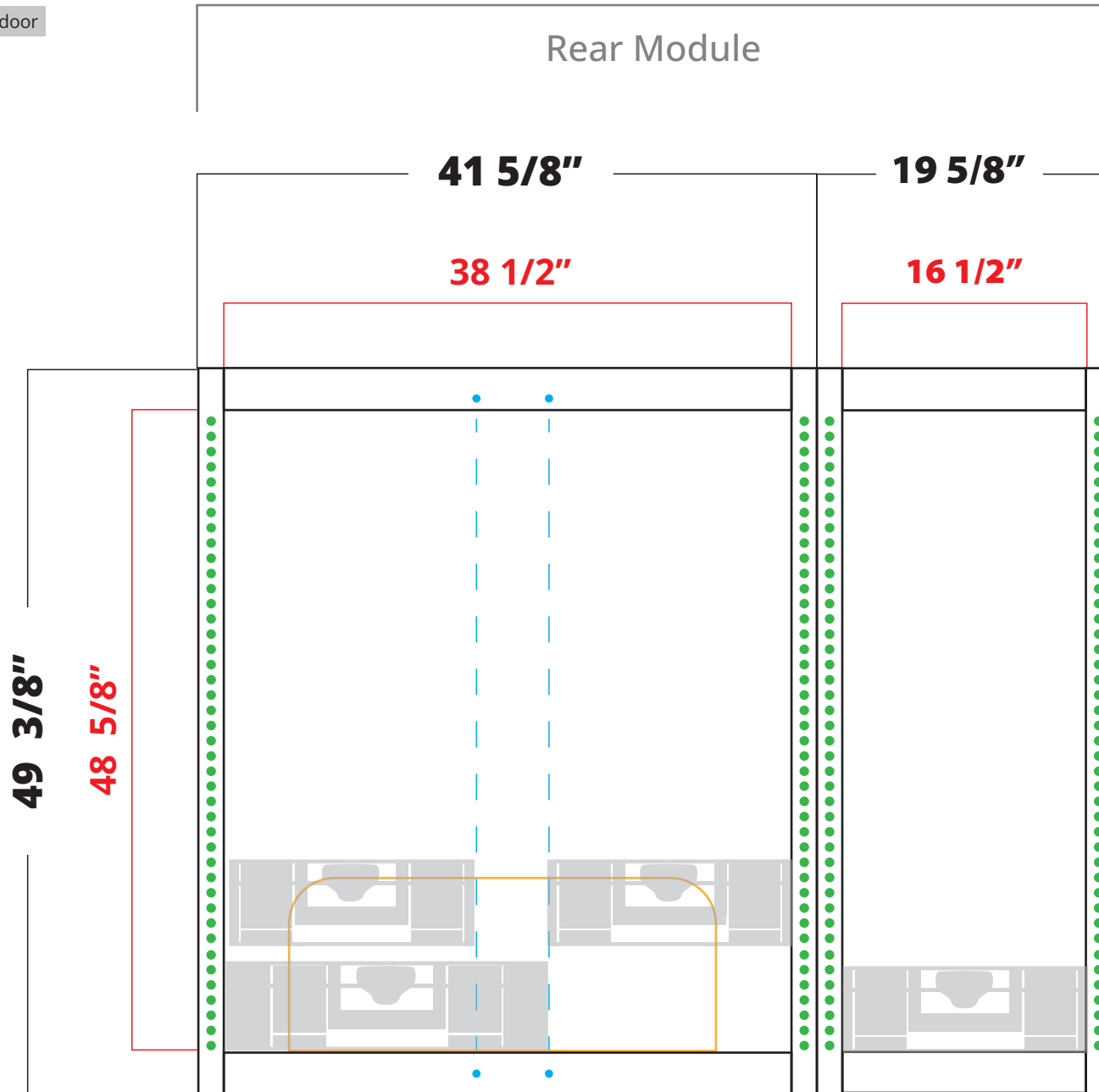
Explore more on how to create your own layout with different frames, shelves, boxes and accessories by viewing the Van Guide.
bottsmartvan.com/van-shelving -- or Scan the QR Code

Call or email us to place your custom order. sales@bottsmartvan.com 1 (765) 535 7540





Rear door
←

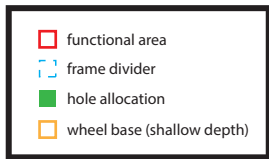


LEFT Frame Fitting Options (3 variations)

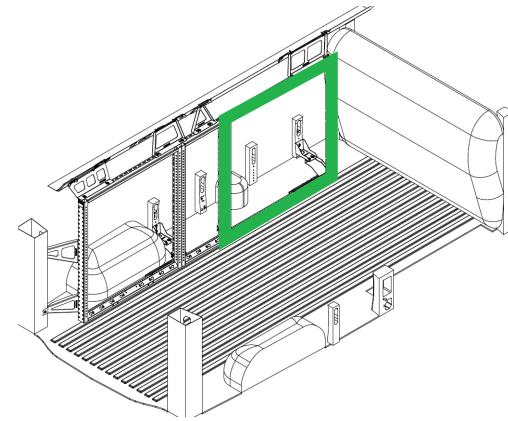
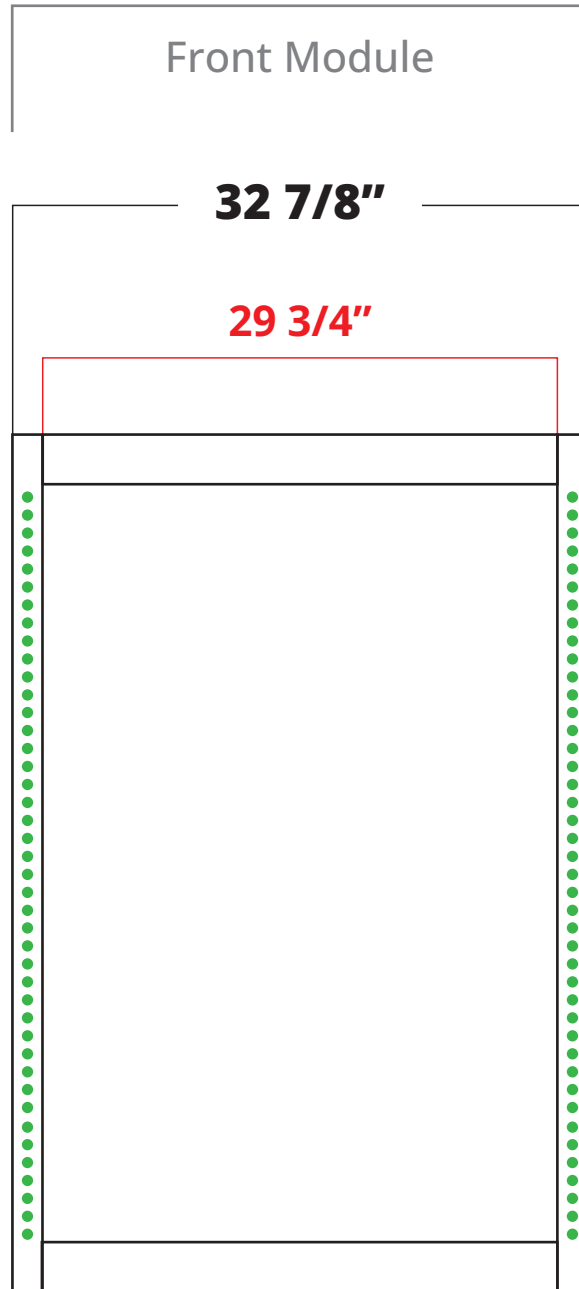
1. Use the full width of the frame
Fits accessories 38 1/2" W
2. Create 2 sections within the frame
Add (1) Divider to fit:
(1) L section 20 7/8" W
(1) M section 16 1/2" W
3. Create 2 sections within the frame
Add (2) Divider to fit:
(2) M section 16 1/2" W

CENTER Frame Fitting

Use the full width of the frame
Fits M size accessories 16 1/2" W



Rear door

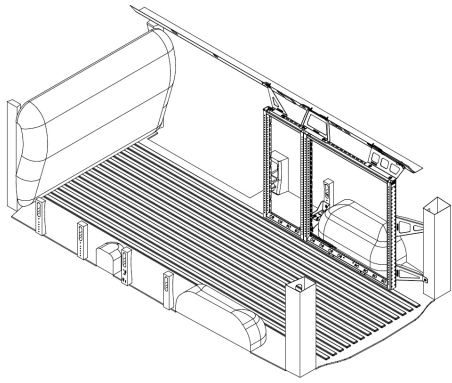
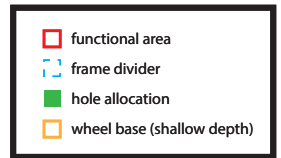


Frame Fitting Options (3 variations)

Use the full width of the frame
Fits M size accessories 29 3/4" W

Hole Allocations: 55 holes
(2 additional forward facing holes for anchor points)

Important note:
The frames are fixed and cannot be changed.



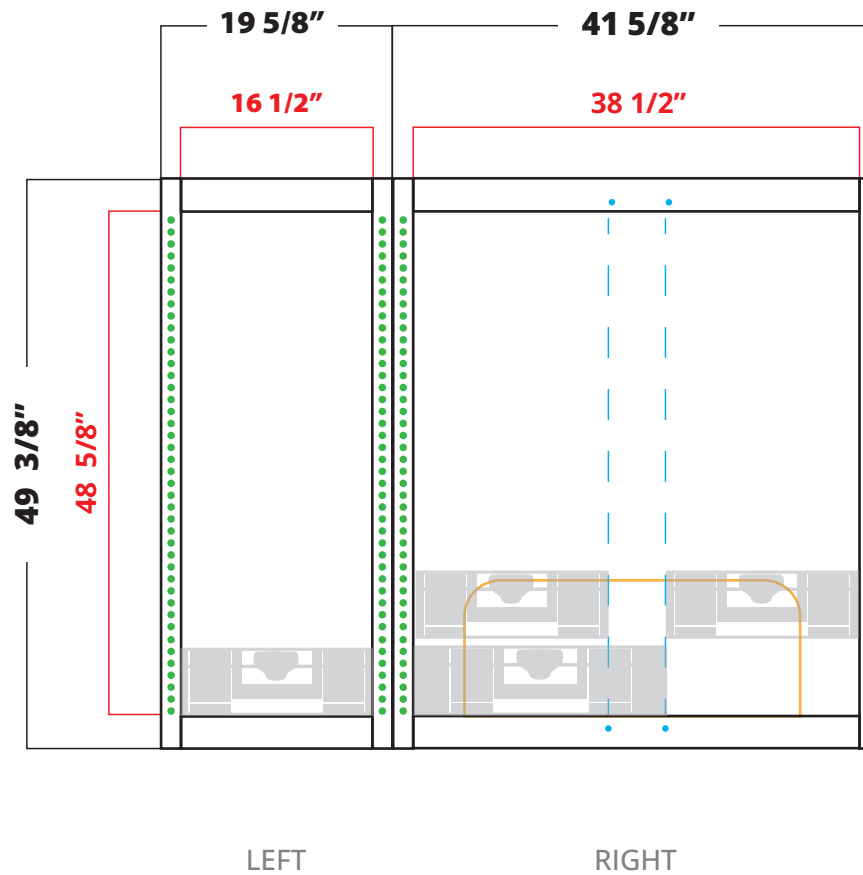
Rear door →

LEFT Frame Fitting

- 1. Use the full width of the frame
Fits M size accessories 16 1/2" W

RIGHT Frame Fitting Options (3 variations)

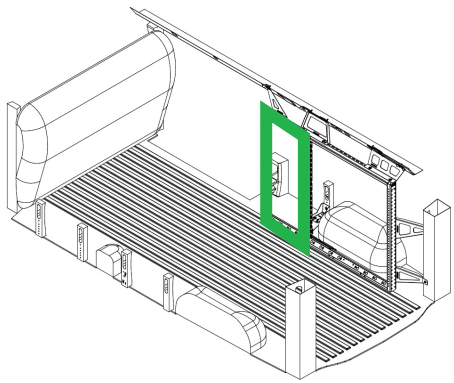
- 1. Use the full width of the frame
Fit accessories with 38 1/2" W
- 2. Create 2 sections within the frame
Add (1) Divider to fit:
(1) L section 20 7/8" W
(1) M section 16 1/2" W
- 3. Create 2 sections within the frame
Add (2) Dividers to fit:
(2) M sections 16 1/2" W







Explore more on how to create your own layout with different frames, shelves, boxes and accessories by viewing the Van Guide.
bottsmartvan.com/van-shelving -- or Scan the QR Code

Call or email us to place your custom order. sales@bottsmartvan.com 1 (765) 535 7540

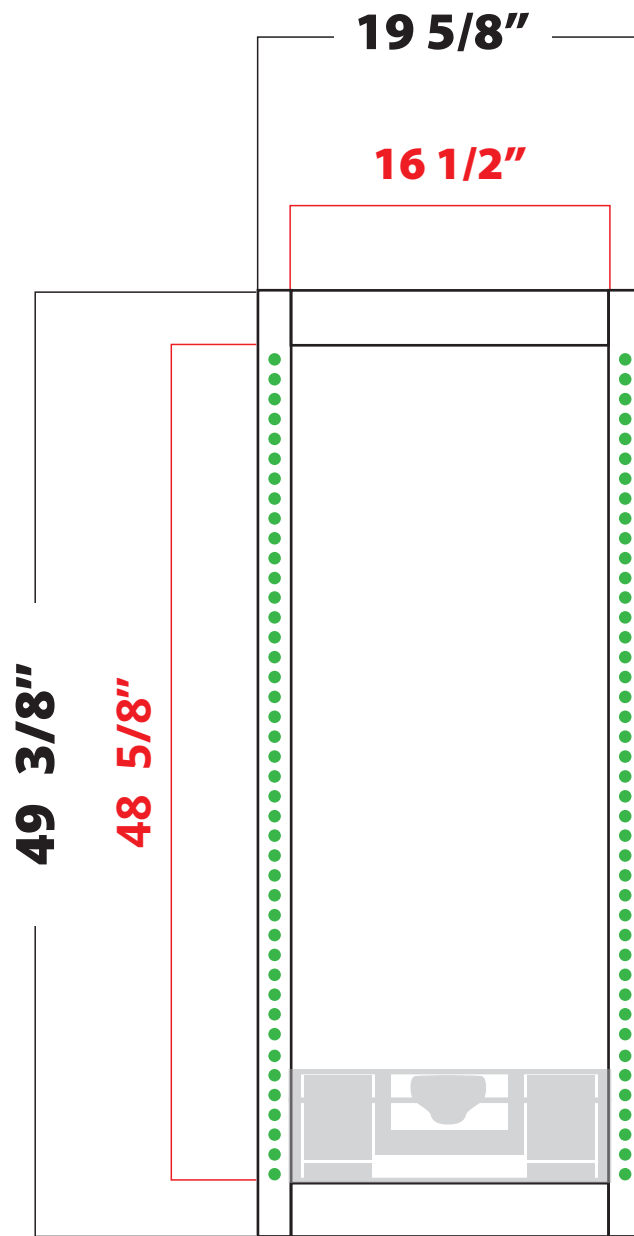




-  functional area
-  frame divider
-  hole allocation
-  wheel base (shallow depth)

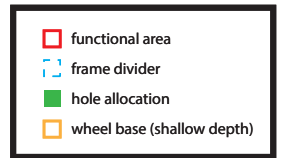
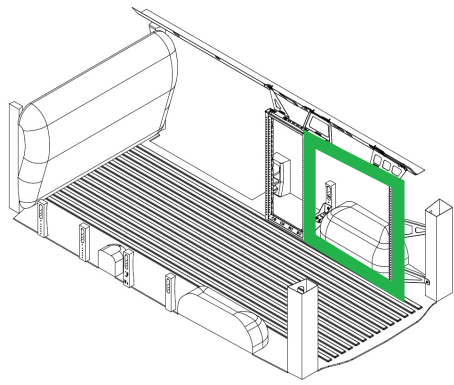
Frame Fitting Options (3 variations)

Use the full width of the frame
Fits accessories 16 1/2" W



Rear door
→

LEFT



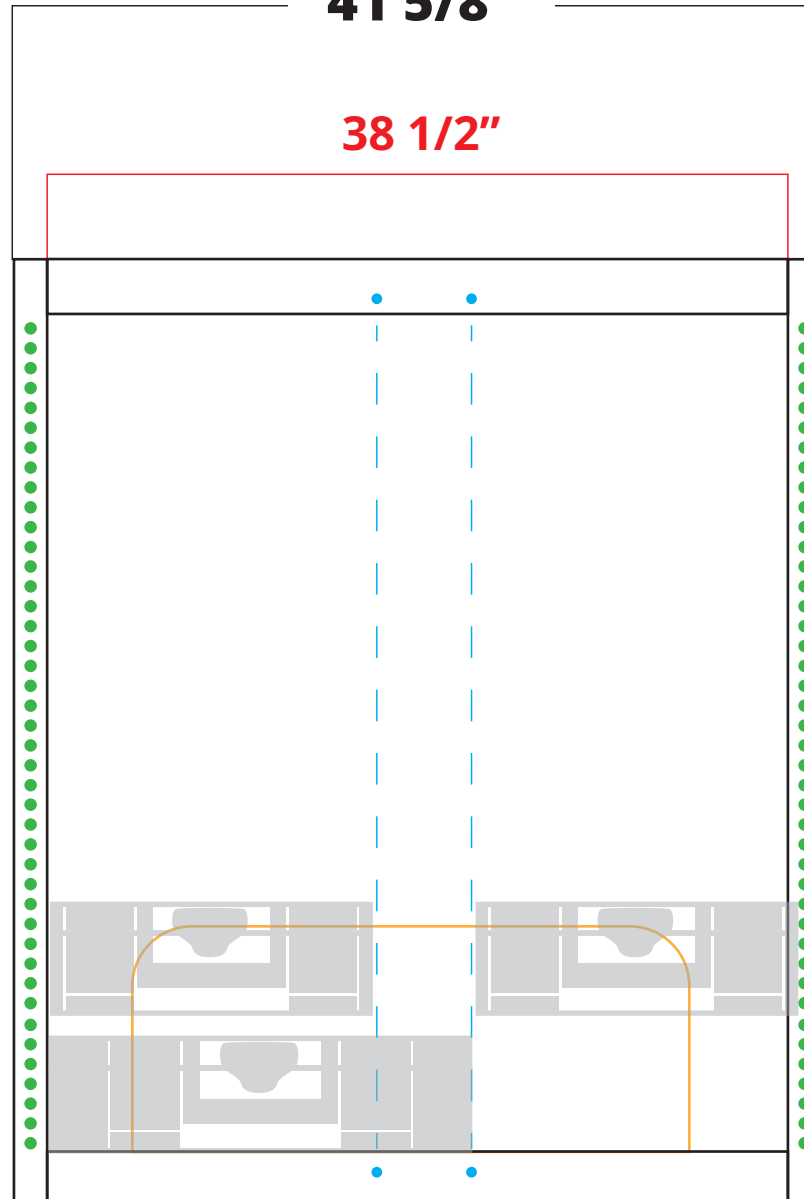
41 5/8"

38 1/2"

Rear door →

Frame Fitting Options (3 variations)

1. Use the full width of the frame
Fits accessories 38 1/2" W
2. Create 2 sections within the frame
Add (1) Divider to fit:
(1) L section 20 7/8" W
(1) M section 16 1/2" W
3. Create 2 sections within the frame
Add (2) Divider to fit:
(2) M section 16 1/2" W



RIGHT