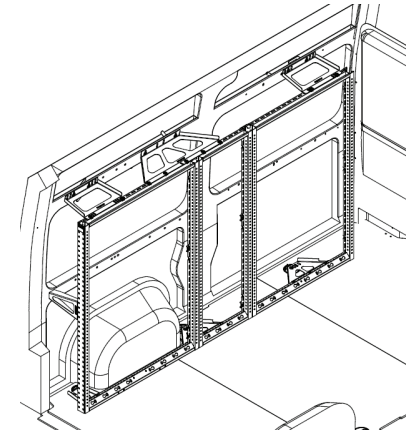


functional area  
 frame divider  
 hole allocation  
 wheel base (shallow depth)

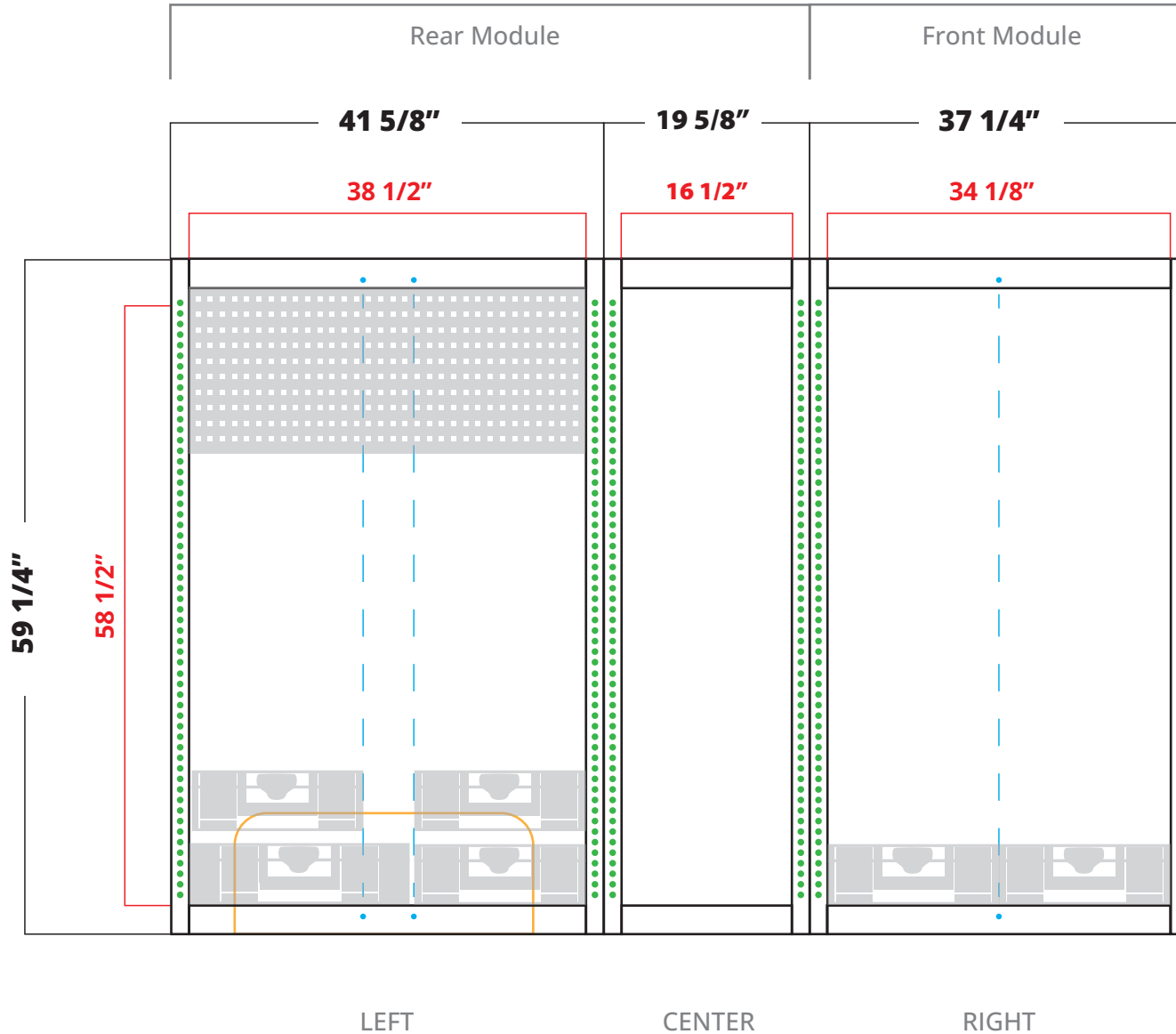
Hole Allocations: 55 holes  
 (2 additional forward facing holes for anchor points)

Important note:  
 The frames are fixed and cannot be changed.

The rear module can be installed separately without the front module.  
 The front module can only be installed when the rear module is present.



Rear door



**LEFT Frame Fitting Options (3 variations)**

- 1. Use the full width of the frame  
Fit accessories with 38 1/2" W
- 2. Create 2 sections within the frame  
Add (1) Divider to fit:  
(1) L section 20 7/8" W  
(1) M section 16 1/2" W
- 3. Create 2 sections within the frame  
Add (2) Dividers to fit:  
(2) M sections 16 1/2" W

**CENTER Frame Fitting**

- 1. Use the full width of the frame  
Fits M size accessories 16 1/2" W

**RIGHT Frame Fitting Options (2 variations)**

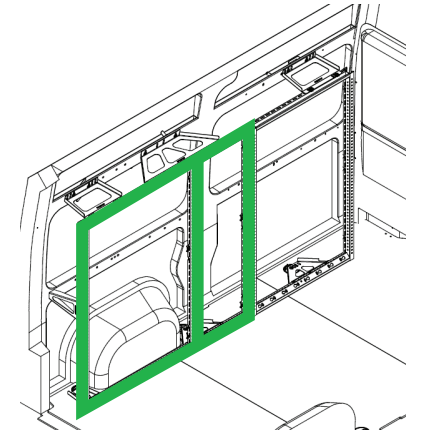
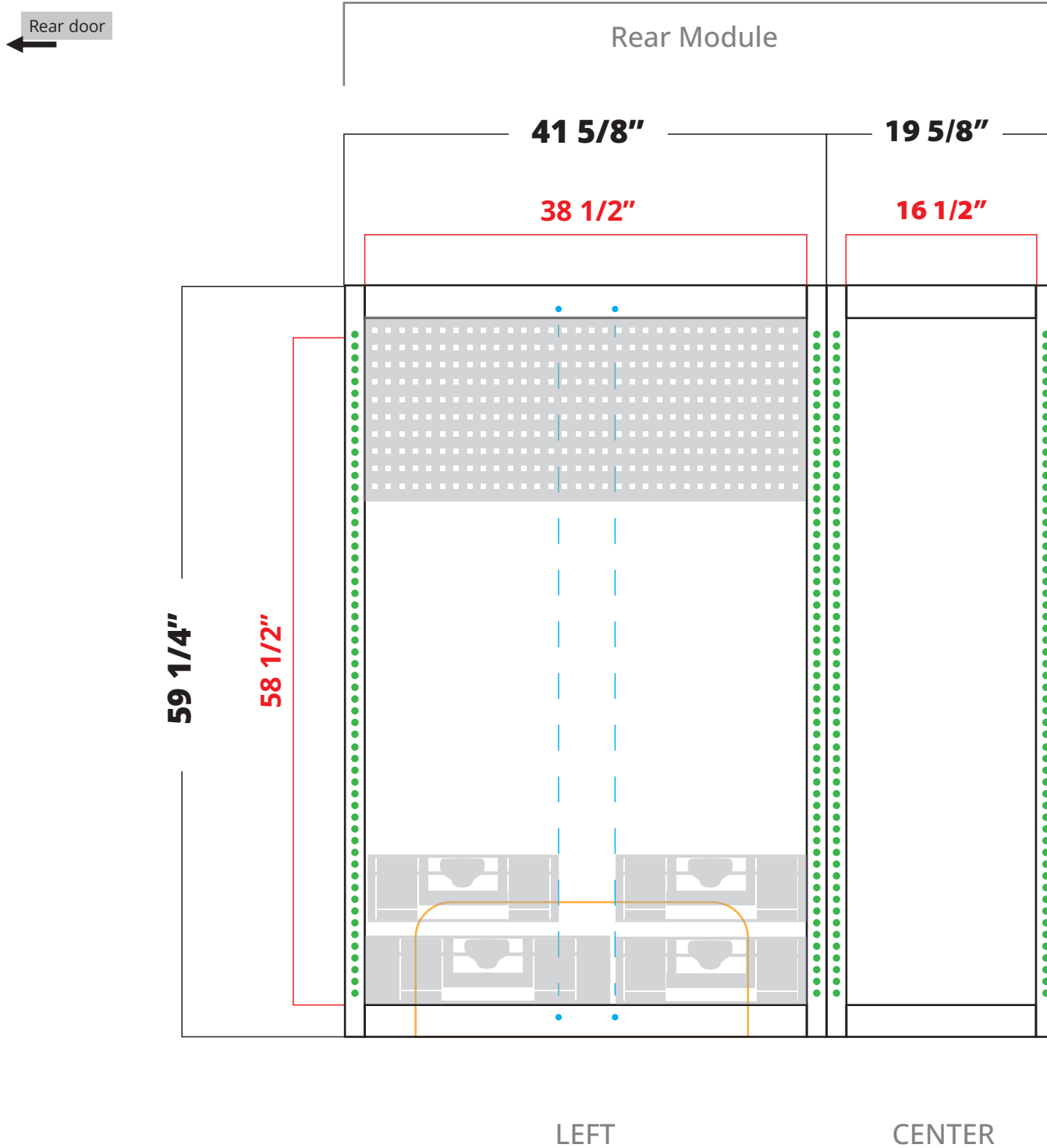
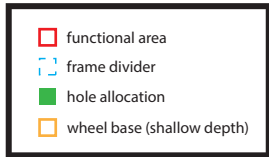
- 1. Use the full width of the frame  
Fit accessories with 34 1/8" W
- 2. Create 2 sections within the frame  
Add (1) Divider to fit:  
(2) M sections 16 1/2" W



Explore more on how to create your own layout with different frames, shelves, boxes and accessories by viewing the Van Guide.  
[bottsmartvan.com/van-shelving](http://bottsmartvan.com/van-shelving) -- or Scan the QR Code



Call or email us to place your custom order. [sales@bottsmartvan.com](mailto:sales@bottsmartvan.com) 1 (765) 535 7540

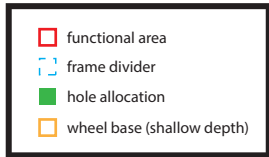


**LEFT Frame Fitting Options (3 variations)**

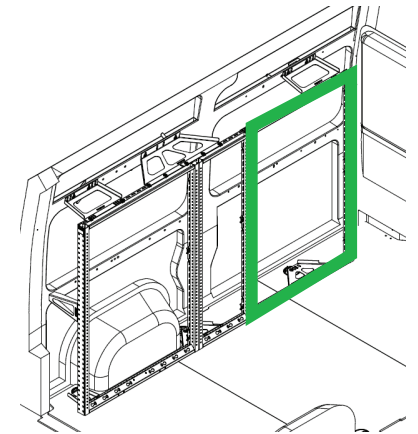
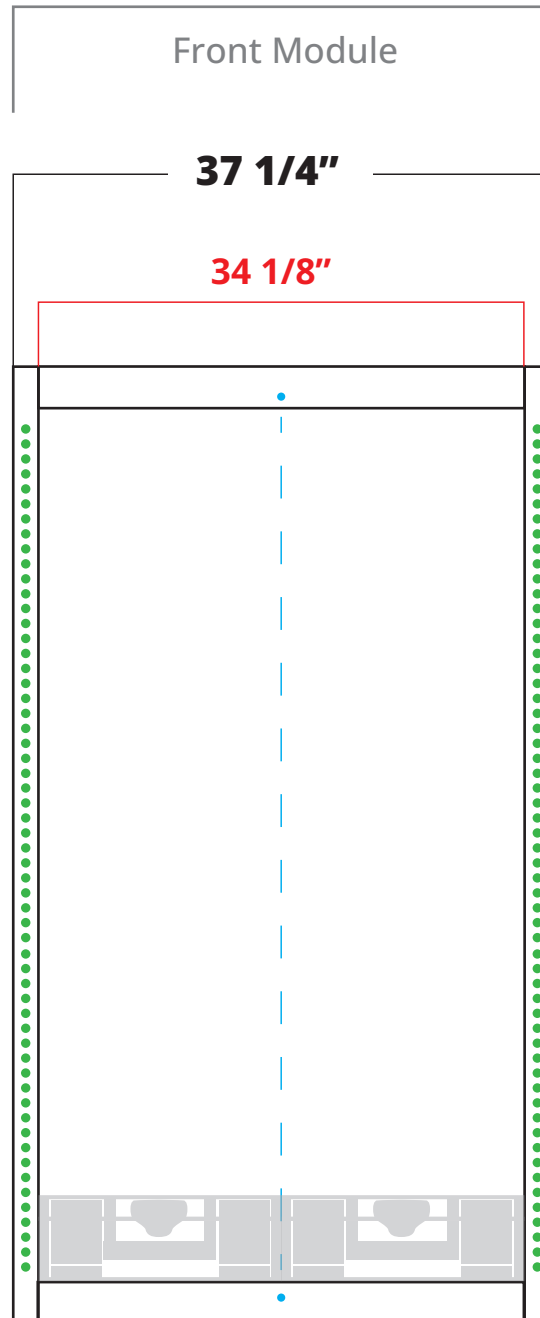
1. Use the full width of the frame  
Fits accessories 38 1/2" W
2. Create 2 sections within the frame  
Add (1) Divider to fit:  
(1) L section 20 7/8" W  
(1) M section 16 1/2" W
3. Create 2 sections within the frame  
Add (2) Divider to fit:  
(2) M section 16 1/2" W

**CENTER Frame Fitting**

1. Use the full width of the frame  
Fits accessories 16 1/2" W

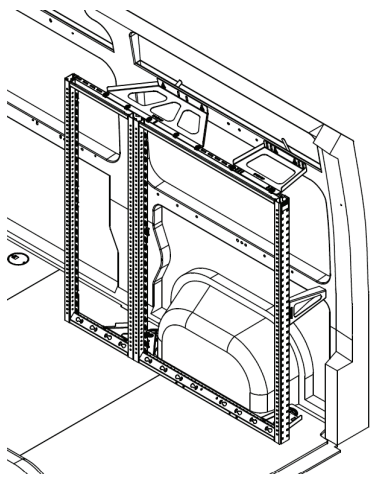


Rear door ←



**RIGHT Frame Fitting Options (2 variations)**

1. Use the full width of the frame  
Fits accessories 34 1/8" W
2. Create 2 sections within the frame  
Add (1) Divider to fit:  
(2) M section 16 1/2" W



Hole Allocations: 55 holes  
(2 additional forward facing holes for anchor points)

Important note:  
The frames are fixed and cannot be changed.

- functional area
- ⋮ frame divider
- hole allocation
- ▭ wheel base (shallow depth)

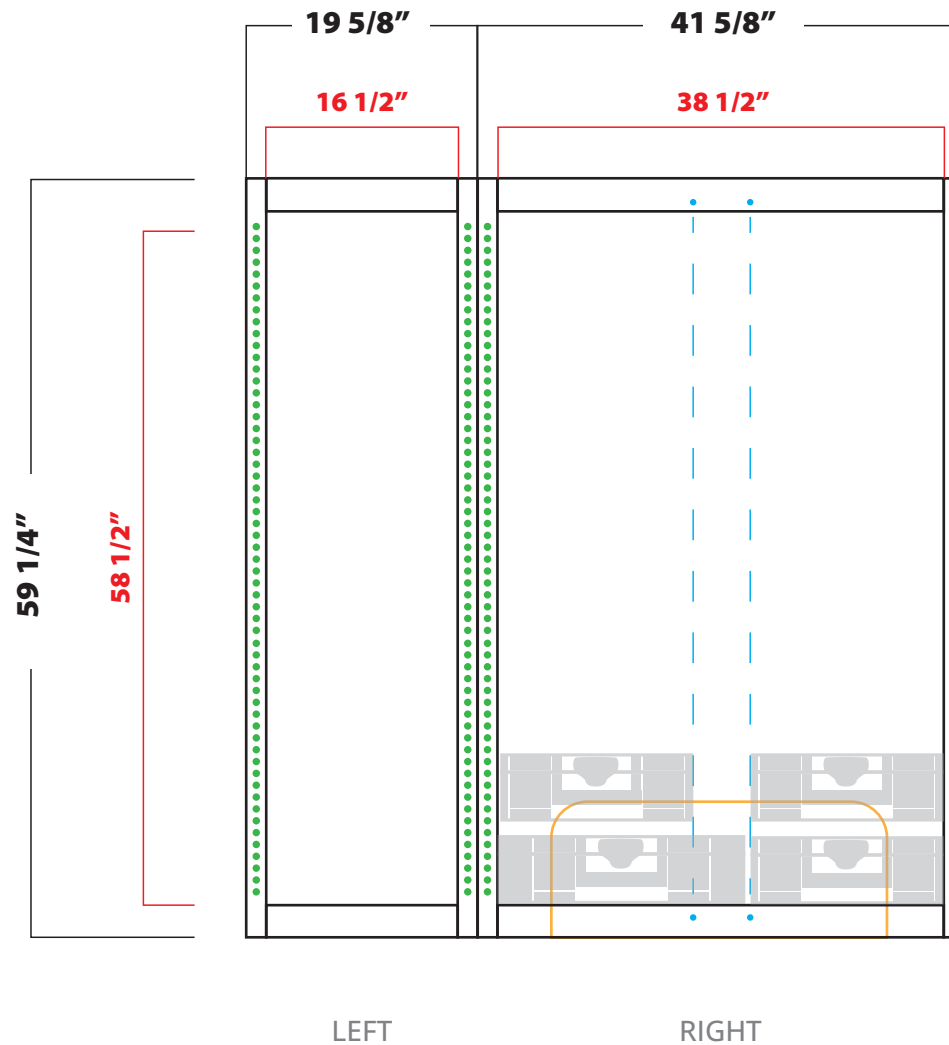


**LEFT** Frame Fitting

- 1. Use the full width of the frame  
Fits M size accessories 16 1/2" W

**RIGHT** Frame Fitting Options  
(3 variations)

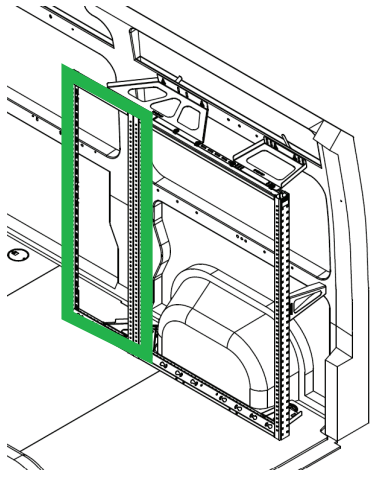
- 1. Use the full width of the frame  
Fit accessories with 38 1/2" W
- 2. Create 2 sections within the frame  
Add (1) Divider to fit:  
(1) L section 20 7/8" W  
(1) M section 16 1/2" W
- 3. Create 2 sections within the frame  
Add (2) Dividers to fit:  
(2) M sections 16 1/2" W







Explore more on how to create your own layout with different frames, shelves, boxes and accessories by viewing the Van Guide.  
[bottsmartvan.com/van-shelving](http://bottsmartvan.com/van-shelving) -- or Scan the QR Code

Call or email us to place your custom order. [sales@bottsmartvan.com](mailto:sales@bottsmartvan.com) 1 (765) 535 7540



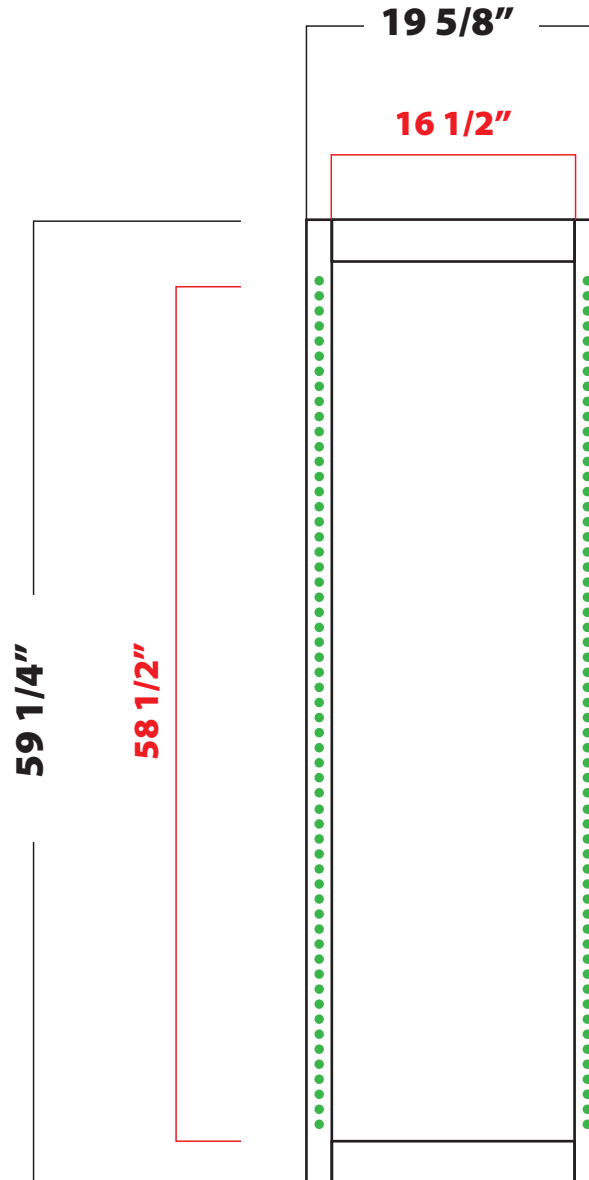


-  functional area
-  frame divider
-  hole allocation
-  wheel base (shallow depth)

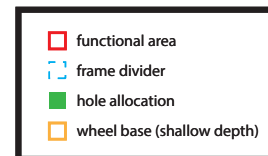
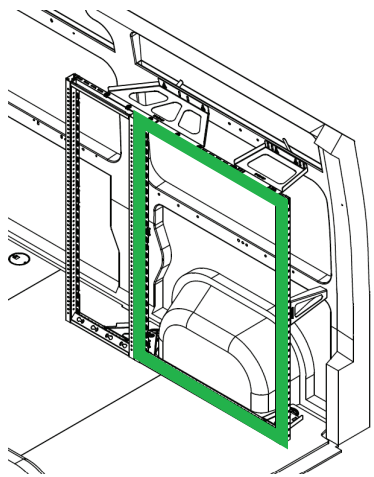
Rear door 

LEFT Frame Fitting

1. Use the full width of the frame  
Fits accessories 16 1/2" W



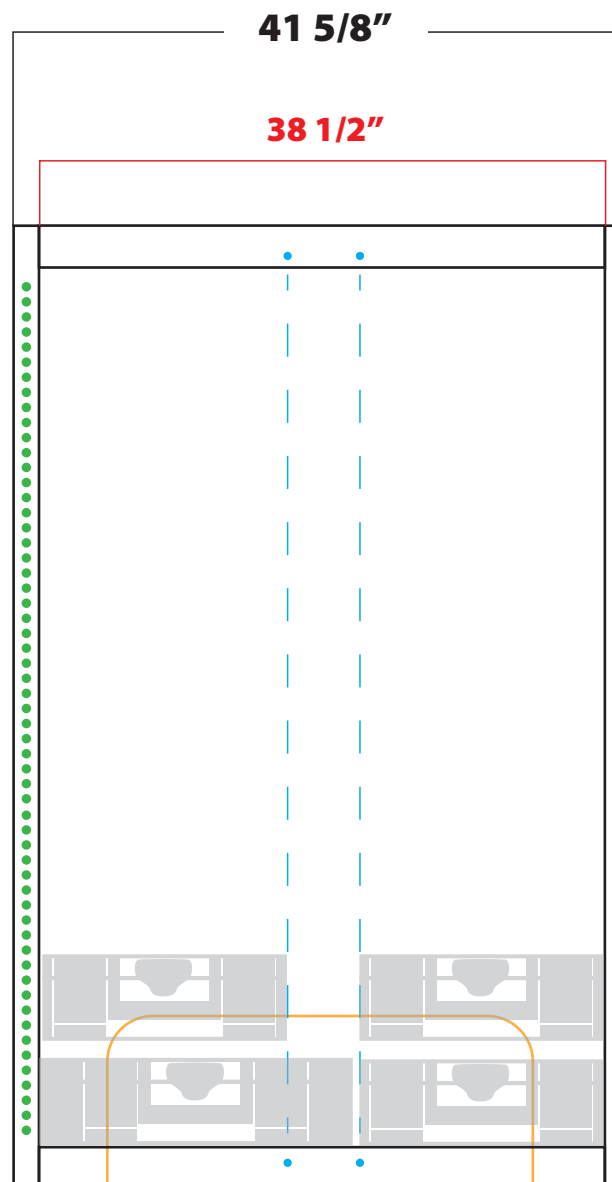
LEFT



Rear door →

LEFT Frame Fitting

1. Use the full width of the frame  
Fits accessories 38 1/2" W
2. Create 2 sections within the frame  
Add (1) Divider to fit:  
(1) L section 20 7/8" W  
(1) M section 16 1/2" W
3. Create 2 sections within the frame  
Add (2) Divider to fit:  
(2) M section 16 1/2" W



RIGHT